

INDU-COR™ Module: 12-HFM-251-ICV

Industrial Multitubular Ultrafiltration Module

PRODUCT DESCRIPTION

Part Number (KPN)	0712510
Membrane Chemistry:	PVDF
Membrane Type:	HFM (neutral charge)
Membrane Area:	45.5 ft ² (4.2 m ²)
Molecular Weight Cut-Off:	100,000 Dalton (nominal)
Construction:	Thirty (30) ½" diameter tubules in a PVC shell
Face Plate:	ABS
Gasket:	VITON®

OPERATING AND DESIGN INFORMATION*

Maximum Inlet Pressure:	90 psi @ 119 °F (6.2 bar @ 48 °C)
Maximum Operating Temperature:	122°F (50 °C) at 84 psi max
Maximum Permeate Side Back Pressure:	3 psi (0.2 bar)
Minimum Outlet Pressure:	5 psi (0.3 bar)
Maximum Feed Side Pressure Drop:	7.5 psi @ 119 °F (0.5 bar @ 48 °C)
Allowable pH - Continuous Exposure:	2.0 - 10.0 @ 119 °F (48 °C)
Allowable pH - Short Term Exposure:	1.5 - 10.5 @ 119 °F (48 °C)

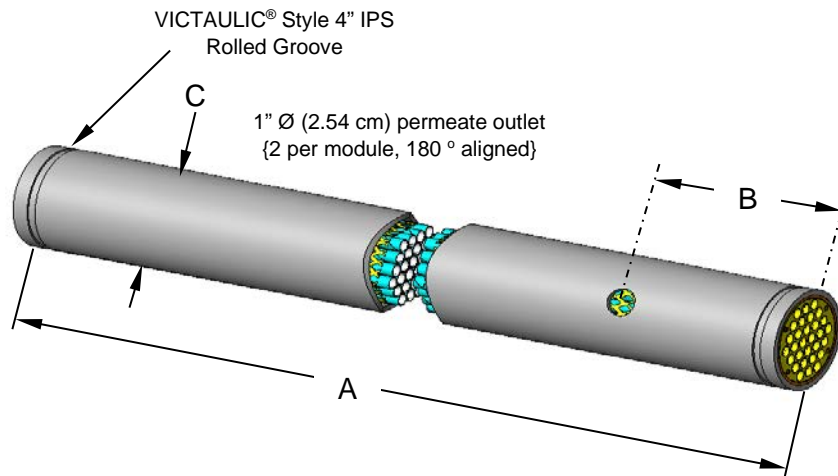
*Consult KSS Process Technology Group for specific applications.

FEED FLOW VS. PRESSURE DROP*

Circulation Flow		Crossflow Velocity		Pressure Drop	
gpm	(m ³ /hr)	f/sec	(m/sec)	psi	(bar)
175	40	9	2.7	4.8	0.34
200	45	11	3.4	6.0	0.40
225	51	12	3.7	7.2	0.50

*Data based on water at 77° F and specific gravity of 1.0.

NOMINAL DIMENSIONS



A		B		C	
inches	(mm)	inches	(mm)	inches	(mm)
144	(3658)	8	(203.2)	4 ½	(114.3)

OPERATING GUIDELINES

Ancillary Parts

KSS recommends that these membranes be used with KSS supplied ancillary parts. Sealing is provided by o-rings and gaskets. No additional sealing compound or tape is recommended for use on threaded connections.

INDUCOR Module Process Pass Kits

(One Process Pass Kit contains;)
 Two Permeate Port Saddle Assemblies
 Two 4" Coupling Assemblies

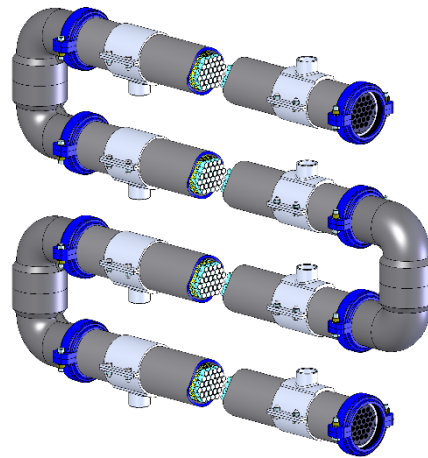
Available in two styles of Permeate Port Saddle:

1" IPS Socket Style Pass Kit KPN 0211875
 1" FNPT Threaded Style Pass Kit KPN 0211885

Permeate Port Saddle Assembly

1" IPS Socket Style KPN 0020616
 1" FNPT Threaded Style KPN 0020618

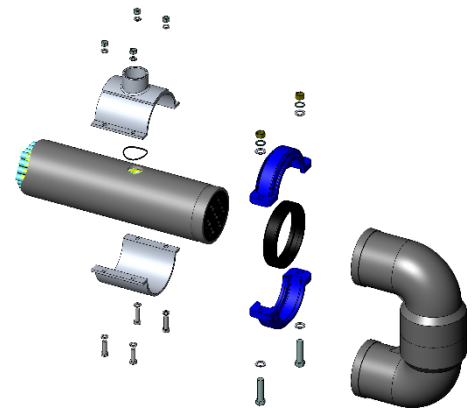
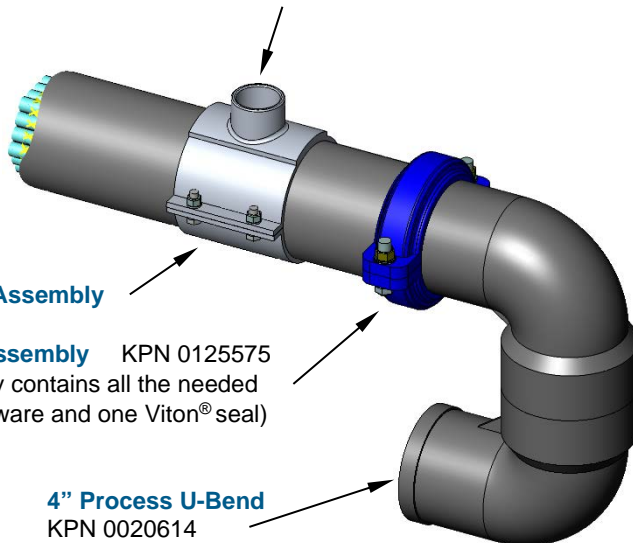
(Each assembly contains all the needed fastening hardware and one Viton® o-ring)



Module Assembly

4" Coupling Assembly KPN 0125575
 (Each assembly contains all the needed fastening hardware and one Viton® seal)

4" Process U-Bend
 KPN 0020614



Membrane Incompatibility

Prior to exposing the membrane to any chemical, the chemical should be reviewed by Koch Separation Solutions. Aside from the listed chemicals below, synthetic coolants, semi-synthetic coolants, kerosenes, naphtha, gasoline, floc polymers may affect membrane performance.

Chemicals that should be avoided include the following:

- **Aprotic Solvent** (e.g., Dimethyl Formamide, Dimethyl Acetamide, N-Methyl Pyrolidine, etc.)
- **Chlorinated Solvents** (e.g., Methylene Chloride, Chloroform, Carbon Tetrachloride, etc.)
- **Ketones** (e.g., Acetone, Diacetone Alcohol, etc.)
- **Silicones** or Silicone based Defoamers (e.g., Siloxane)

The information contained in this publication is believed to be accurate and reliable, but is not to be construed as implying any warranty or guarantee of performance. We assume no responsibility, obligation or liability for results obtained or damages incurred through the application of the information contained herein. Refer to Standard Terms and Conditions of Sale and Performance Warranty documentation for additional information

Koch Separation Solutions, Inc. 850 Main Street, Wilmington, MA 01887
 Main: +1-978-694-7000 • Fax: +1-978-657-5208 • Toll Free: +1-888-677-5624

For complete contact information and listing of our global locations, visit www.kochseparation.com

©2020 Koch Separation Solutions, Inc. All rights reserved worldwide. For related trademark information, visit www.kochseparation.com/legal.