

KSS 8" Hollow Fiber PM50 Water Cartridge

8-inch Industrial Water Ultrafiltration Cartridge

PRODUCT DESCRIPTION

Membrane Chemistry:	Proprietary semi-permeable polysulfone
Membrane Type:	PM50
Housing Shell/End Caps:	Proprietary polysulfone
Fiber Support Netting:	Polypropylene/Polyethylene
Permeate Collection Tube:	PVC
Potting Material:	Proprietary epoxy compound
Regulatory Status:	UL Listed to ANSI/NSF Standard 61 and in accordance with NSF/ANSI Standard 372
Storage Solution:	Glycerin

PRODUCT SPECIFICATIONS

Part Number	Model	Nominal MWCO	Membrane Area ft ² (m ²)	Production Range gpm (m ³ /hr)
0720310	HF, 8048-238-43-PM50	50,000	238 (22.1)	15.2 (3.4) - 7.1 (1.6)

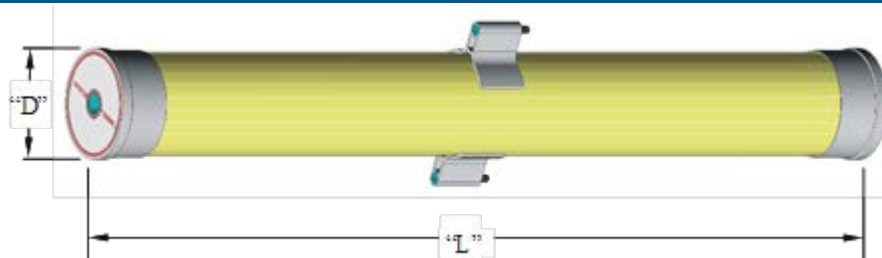
*Higher production can be expected for post IX/RO polishing applications.

OPERATING AND DESIGN INFORMATION*

Maximum Pressure (water):	45 psi (3.0 bar) @ 104° F (40° C) or less
Temperature Range:	32° F (0° C) - 104° F (40° C)
Maximum Production Transmembrane Pressure:	30 psi (2.1 bar)
Maximum Backflush Transmembrane Pressure:	20 psi (1.4 bar)
Maximum Total Chlorine @ 77° F (25° C) or lower:	200 ppm @ 9.5 pH or higher during intermittent backflush
Maximum Total Chlorine Contact:	200,000 ppm-hrs cumulative

*Consult KSS Process Technology Group for specific applications.

NOMINAL DIMENSIONS



Model	Fiber Diameter (ID)		D		L	
	inches	mm	inches	mm	inches	Mm
HF, 8048-238-43-PM50	0.043	1.1	8.4	213	48	1219

OPERATING GUIDELINES

Cartridge Storage Conditions:

New cartridges are impregnated with glycerin. Glycerin should be removed from new cartridges before initial use with a rinse followed by a caustic wash and then a caustic/chlorine wash. See pre-startup cleaning instruction sheet packed with each cartridge shipment.

New cartridges should be stored in their original shipping containers and crates until ready for installation, as follows:

- Indoors, out of direct sunlight.
- At temperatures between 50 – 85 °F (10 – 30 °C).
- At relative humidity below 70%.
- In a horizontal position.

Used cartridges should be cleaned, rinsed and impregnated before storage with one of the following solutions.

- Glycerin @ 80 - 100% (best)
- Phosphoric acid @ pH 2 - 3
- Benzoic acid or sodium benzoate @ 1,000 ppm
- Sodium bisulfite or sodium metabisulfite @ 1,000 - 5,000 ppm

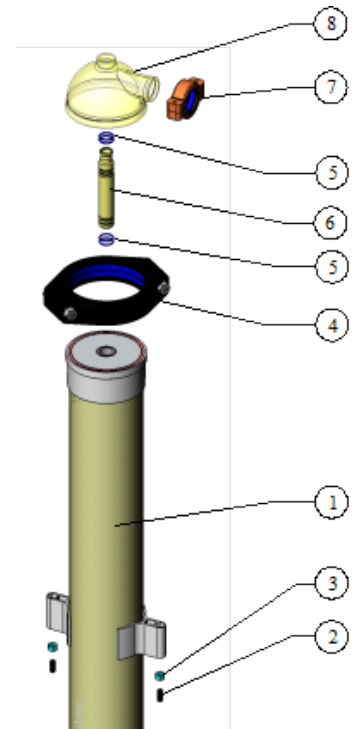
Cartridges stored in sodium bisulfite or sodium metabisulfite should be flushed with clean water and impregnated with fresh solution at six-month intervals. Once impregnated the cartridges should be left on the system with all valves closed or removed from the system and sealed in plastic bags. Storage conditions described above for new cartridges should be used for storage of used cartridges. Cartridges must be drained, rinsed and cleaned after storage per the pre-startup cleaning instruction sheet packed with each cartridge shipment.

OPERATING GUIDELINES

Item	Part Description		KPN
1	8" HF Cartridge	1 each	See first page
2	Leveling Hardware (Screw ½" X 13)	2 each	1002443
3	Leveling Hardware (Nut ½" X 13)	2 each	1002443
4	8" Coupling Set (gasket included)	2 each	0151303
5	O-Ring, Permeate Adapter	8 each	0211022
6	Permeate Adapter	2 each	1002655
7	2" Coupling Set (gasket included)	2 sets	0151304 / 0151261
8	End Cap	2 each	0040213

Kit Process Pass for 8" Cartridge

KSS Part Number: 0220158



The information contained in this publication is believed to be accurate and reliable, but is not to be construed as implying any warranty or guarantee of performance. We assume no responsibility, obligation or liability for results obtained or damages incurred through the application of the information contained herein. Refer to Standard Terms and Conditions of Sale and Performance Warranty documentation for additional information

Koch Separation Solutions, Inc. 850 Main Street, Wilmington, MA 01887
 Main: +1-978-694-7000 • Fax: +1-978-657-5208 • Toll Free: +1-888-677-5624

For complete contact information and listing of our global locations, visit www.kochseparation.com

©2020 Koch Separation Solutions, Inc. All rights reserved worldwide. For related trademark information, visit www.kochseparation.com/legal.