

ROMICON® 3" XM50P Hollow Fiber Cartridges

Industrial Hollow Fiber Ultrafiltration Module for Wastewater Treatment

PRODUCT DESCRIPTION

Membrane Chemistry:	Acrylonitrile co-polymer
Membrane Type:	XM
Molecular Weight Cut-off:	50,000 Dalton (nominal)
Housing Construction:	PVC
Seal:	Epoxy

PRODUCT SPECIFICATIONS

Part Number	Model	Active Membrane Area ft ² (m ²)
0720188	HF, 3025-5.0-45-XM50P	5.0 (0.46)
0720186	HF, 3025-15.0-45-XM50P	15.0 (1.4)
0720127	HF, 3043-26.5-45-XM50P	26.5 (2.5)

OPERATING AND DESIGN INFORMATION*

Maximum Inlet Pressure:	30 psi @ 77°F (2.1 bar @ 25°C)
Maximum Operating Temperature (at pH 8.0):	113°F (45°C)
Maximum Permeate Side Back Pressure:	20 psi (1.4 bar)
Maximum Feed Side Pressure Drop:	25 psi @ 113°F (1.7 bar @ 45°C)
Allowable pH:	1.5 – 13.0 @ 113°F (45°C)

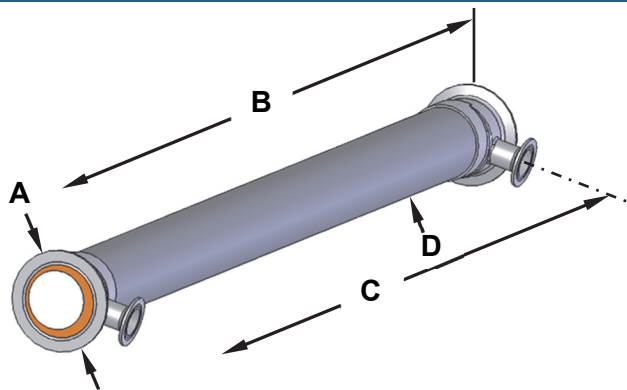
*Consult KSS Process Technology Group for specific applications.

CIRCULATION FLOW VS. PRESSURE DROP

Pressure Drop/Module		Circulation Flow KPN 0720188		Circulation Flow KPN 0720186		Circulation Flow KPN 0720127	
psi	bar	gpm	(m ³ /hr)	gpm	(m ³ /hr)	gpm	(m ³ /hr)
10	0.7	8	(1.82)	24	(5.45)	19	(4.31)
15	1.0	11	(2.50)	29	(6.59)	23	(5.22)
20	1.4	13	(2.95)	35	(7.95)	26	(5.90)

Data based on water at 77° F and a specific gravity of 1.0. Circulation rates exhibit variances of 15%.

NOMINAL DIMENSIONS



Part Number	A		B		C		D		Permeate Connection	Process Connection
	inches	(mm)	inches	(mm)	inches	(mm)	inches	(mm)		
0720188	4.0	(102)	25	(625)	22 ¹⁵ / ₁₆	(583)	3	(76)	1 ½" T/C	3" T/C
0720186	4.0	(102)	25	(625)	22 ¹⁵ / ₁₆	(583)	3	(76)	1 ½" T/C	3" T/C
0720127	4.0	(102)	43	(1092)	40 ¹⁵ / ₁₆	(1040)	3	(76)	1 ½" T/C	3" T/C

OPERATING GUIDELINES

Membrane Incompatibility

Prior to exposing the membranes to any chemical, the chemical should be reviewed by Koch Separation Solutions, Inc. Aside from the listed chemicals, synthetic coolants, semi-synthetic coolants, kerosene, naphtha, gasoline, floc polymers, etc., may affect membrane performance.

Chemicals that should be avoided include the following:

- **Aprotic Solvents** (e.g., Dimethyl Formamide, Dimethyl Acetamide, N-Methyl Pyrolidine)
- **Chlorinated Solvents** (e.g., Methylene Chloride, chloroform, Carbon Tetrachloride)
- **Ketones** (e.g., Acetone, Diacetone Alcohol)
- **Silicones** or Silicone based Defoamers (e.g., Siloxane)

Service and Ongoing Technical Support

Koch Separation Solutions, Inc. has an experienced staff of professionals available to assist end-users and OEMs with optimization of existing systems and to support the development of new applications. Along with the availability of supplemental technical bulletins, Koch Separation Solutions, Inc. also offers a complete line of KOCHKLEEN® cleaning chemicals.

The information contained in this publication is believed to be accurate and reliable, but is not to be construed as implying any warranty or guarantee of performance. We assume no responsibility, obligation or liability for results obtained or damages incurred through the application of the information contained herein. Refer to Standard Terms and Conditions of Sale and Performance Warranty documentation for additional information

Koch Separation Solutions, Inc. 850 Main Street, Wilmington, MA 01887
Main: +1-978-694-7000 • Fax: +1-978-657-5208 • Toll Free: +1-888-677-5624

For complete contact information and listing of our global locations, visit www.kochseparation.com

©2020 Koch Separation Solutions, Inc. All rights reserved worldwide. For related trademark information, visit www.kochseparation.com/legal.