

WINEFILTER MF 6" Hollow Fiber Cartridges

Hollow Fiber Crossflow Cartridges for Wine Filtration

PRODUCT DESCRIPTION

Membrane Type:	Microfiltration
Membrane Material:	Polysulfone
Regulatory Status:	Compliant with US FDA CFR Title 21 and EC Reg. Nos. 1935/2004, and 10/2011
Housing Construction:	Polysulfone shell and end caps
Storage Solution:	Glycerin

SPECIFICATIONS

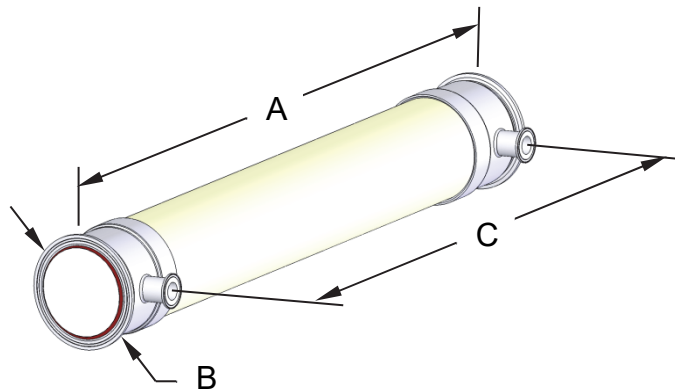
Model	Part Number	Active Membrane Area ft ² (m ²)	Fiber Inside Diameter mil (mm)
WINEFILTER MF 6043	0720268	105 9.8	52 1.3
WINEFILTER MF 6060	0720270	150 13.9	52 1.3

OPERATING AND DESIGN INFORMATION*

Recommended Inlet Pressure:	40 psi (2.7 bar)
Maximum Transmembrane Pressure:	25 psi (1.7 bar)
Maximum Feed Side Pressure Drop:	30 psi (2.1 bar)
Maximum Backflush Pressure:	20 psi (1.4 bar)
Maximum Operating Temperature:	104°F (40°C) @ pH 6
Maximum Cleaning Temperature:	122°F (50°C)
Allowable pH (Cleaning):	1.5 – 13.0 @ 104° F (40°C)

*Consult KSS Industrial Process Technology Group for specific information.

NOMINAL DIMENSIONS



Model	A		B		C		Permeate Connection	Process Connection
	inches	(mm)	inches	(mm)	inches	(mm)		
WINEFILTER MF 6043	43	(1,092)	6.67	(169.4)	38 ¹¹ / ₁₆	(982.7)	1 ½" sanitary	6" sanitary
WINEFILTER MF 6060	60	(1,524)	6.67	(169.4)	55 ⁵ / ₈	(1,413)	1 ½" sanitary	6" sanitary

OPERATING GUIDELINES

6" HOLLOW FIBER CARTRIDGE HARDWARE

Item	Description	KPN
1	6" Gasket	0090424
2	6" Process Cap Adapter	0040321
3	6" Coupling	1020262
4	2 1/2" Cartridge Gasket	EPDM 0090411 BUNA 0090410
5	2 1/2" Coupling	0210468
6	1" Gasket	EPDM 0090394 BUNA 0090395
7	1" Coupling	0210465

Kit Process Pass for 6" Cartridge with EPDM

KSS Part Number: 1007055

Lubricants

For cartridge installation, use only water or glycerin to lubricate seals. The use of petroleum or vegetable-based oils or solvents may damage the cartridge and will void the warranty.

Exposure to Chemical Oxidants:

Exposure to chemical oxidants for thorough cleaning and sanitization may prove necessary and useful.

- Chemical oxidants commonly used in food applications include peracetic acid blends, hydrogen peroxide, and sodium hypochlorite. Please consult KSS for recommended addition rates, frequency of use, and tolerance.
- Potassium metabisulfite (without catalyst such as cobalt) is the preferred chemical to eliminate residual chlorine or similar oxidizers prior to processing the feed stream.

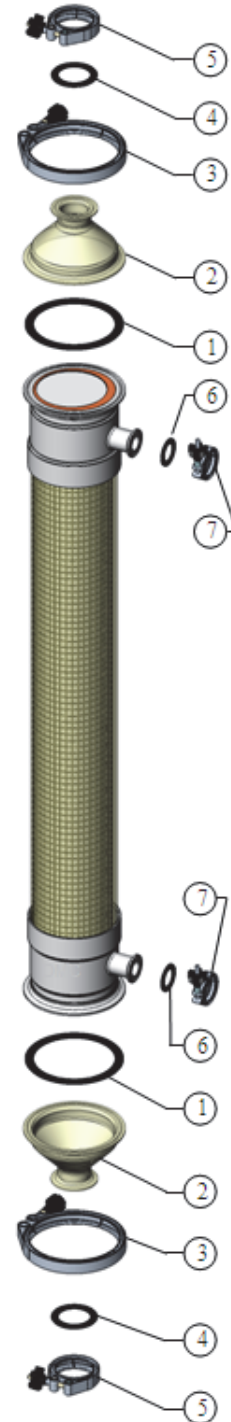
KSS Capability

KSS is the leader in crossflow membrane technology, manufacturing reverse osmosis, nanofiltration, microfiltration, and ultrafiltration membranes and membrane systems. The industries served include food, dairy and beverage, pharmaceutical, biotechnology, water and wastewater, semiconductors, automotive, chemical and general manufacturing. KSS adds value by providing top quality membrane products and by sharing its experience in the design and supply of thousands of crossflow membrane systems worldwide

Service and Ongoing Technical Support

Koch Separation Solutions, Inc. has an experienced staff of professionals available to assist end-users and OEMs for optimization of existing systems and support the development of new applications. Along with the availability

of supplemental technical bulletins, Koch Separation Solutions, Inc. also offers a complete line of KOCHKLEEN® cleaning chemicals.



The information contained in this publication is believed to be accurate and reliable, but is not to be construed as implying any warranty or guarantee of performance. We assume no responsibility, obligation or liability for results obtained or damages incurred through the application of the information contained herein. Refer to Standard Terms and Conditions of Sale and Performance Warranty documentation for additional information

Koch Separation Solutions, Inc. 850 Main Street, Wilmington, MA 01887

Main: +1-978-694-7000 • Fax: +1-978-657-5208 • Toll Free: +1-888-677-5624

For complete contact information and listing of our global locations, visit www.kochseparation.com

©2020 Koch Separation Solutions, Inc. All rights reserved worldwide. For related trademark information, visit www.kochseparation.com/legal.

01/15 Rev 15-2