

# PURON<sup>®</sup> MP Hollow Fiber Cartridge

8-inch Ultrafiltration Cartridge for Water and Wastewater Filtration

## PRODUCT DESCRIPTION

<b>Membrane Chemistry:</b>	Proprietary PVDF
<b>Membrane Type:</b>	Braided hollow fiber for outside-in operation
<b>Fiber Support Chemistry:</b>	Polyester
<b>Nominal Pore Size:</b>	0.03 µm
<b>Outside Fiber Diameter:</b>	0.1 inch (2.6 mm)
<b>Housing Shell:</b>	PVC
<b>Potting Material:</b>	Proprietary Epoxy Compound
<b>Storage Solution:</b>	Glycerin/Water
<b>Regulatory Status:</b>	Classified by UL to NSF/ANSI Standard 61 and in accordance with NSF/ANSI Standard 372

## PRODUCT SPECIFICATIONS

Part Number	Model	Membrane Area [ft <sup>2</sup> (m <sup>2</sup> )]	Typical Production Range [gpm (m <sup>3</sup> /hr)]
0728001	PURON <sup>®</sup> MP 8063-102	418 (39)	7 - 23 (1.5 - 5.2)

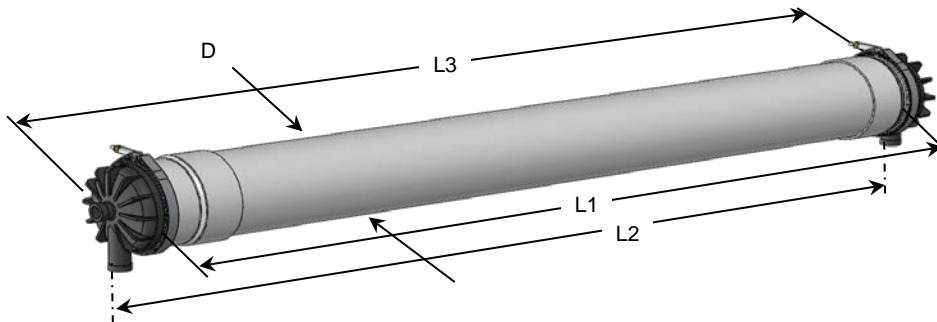
## OPERATING AND DESIGN INFORMATION\*

<b>Maximum Pressure (water):</b>	45 psi (3.0 bar)** @ 104° F (40° C) or less
<b>Temperature Range:</b>	32° F (0° C) - 104° F (40° C)
<b>Maximum Production Transmembrane Pressure:</b>	25 psi (1.7 bar)
<b>Maximum Backflush Transmembrane Pressure:</b>	10 psi (0.7 bar)
<b>Allowable pH Range (continuous operation):</b>	4 - 9
<b>Allowable pH Range (short term):</b>	1.8 - 10.5
<b>Maximum Total Chlorine @ 77° F (25° C) or lower:</b>	1,000 ppm @ pH <10.5
<b>Typical Air Scour Rate per Cartridge:</b>	7 scfm (12 Nm <sup>3</sup> /hr)
<b>Maximum Air Scour Rate per Cartridge:</b>	9 scfm (15 Nm <sup>3</sup> /hr)
<b>Typical Backflush Flow Rate per Cartridge:</b>	19 gpm (4.3 m <sup>3</sup> /hr)

\*Consult KSS Process Engineering group for specific applications

\*\*Higher pressure, up to 3.6 bar (52 psi) requires specific approval of KSS Process Engineering group

## NOMINAL DIMENSIONS



Model	D		L1		L2		L3	
	inches	(mm)	inches	(mm)	inches	(mm)	inches	(mm)
PURON <sup>®</sup> MP 8063-102	8.6	(200)	63	(1,600)	66 9/16	(1,691)	70 1/8	(1,781)

\* Dimensions are provided for reference only and should not be interpreted as accurate specifications.

STORAGE CONDITIONS

**Cartridge Storage Conditions:**

New cartridges are packaged in a glycerin/water solution. The glycerin/water solution should be removed from new cartridges before their initial use with a water rinse followed by a chlorine clean. See the pre-startup cleaning instruction sheet packed with each cartridge shipment for more details. Prior to installation, cartridges should be stored in their original packaging under the following conditions:

- Indoors, out of direct sunlight.
- Temperatures between 50 – 85°F (10 – 30°C).
- Relative humidity below 70%.
- In a horizontal position.

It is best to use new cartridges within one year of shipment. Consult KSS for recommendations for longer term storage.

Used cartridges should be cleaned, rinsed and impregnated before storage using a solution of 80 – 100% glycerin. New cartridge storage conditions should also be used for used cartridges. Used cartridges must be drained, rinsed, and cleaned after storage per the pre-startup cleaning instruction sheet.

CARTRIDGE ASSEMBLY AND COMPONENTS

Item	Description	Quantity Required
1	PURON® MP Cartridge	1 each
2	8" Seal	2 each
3	8" Clamp	2 each
4	8" Top End Cap	1 each
5	8" Bottom End Cap	1 each
6	Vent Port O-rings	2 each
7	Vent 1½" groove end coupling	4 each
8	Spool sight glass	1 each

**PURON® MP Pass Kit**

(Items 3-8)

Part Number 1021034

**PURON® MP End Cap Kit**

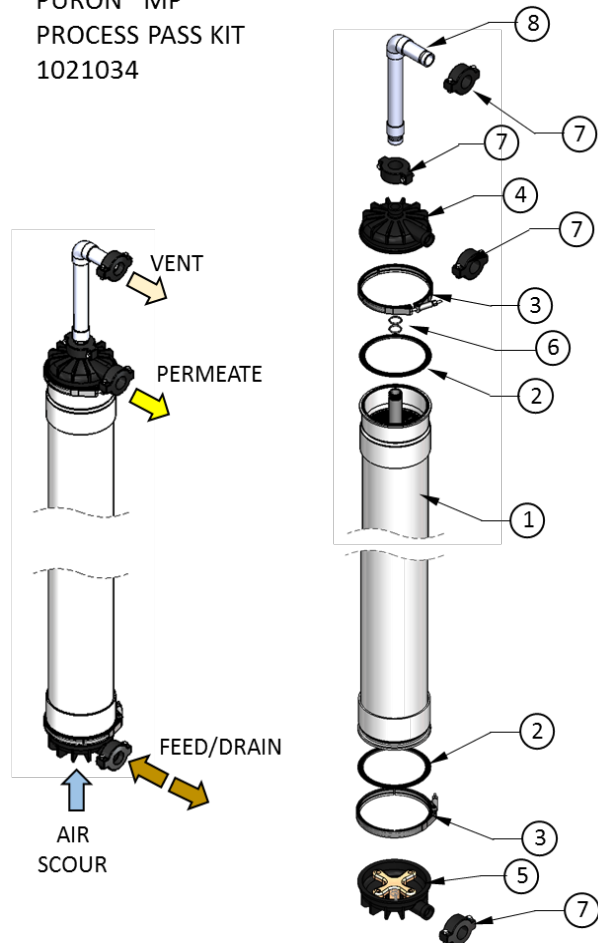
(items 3, 4, 5 & 6)

1021075

**Notes:**

- Feed, permeate and vent ports are 1½" groove end couplings
- Air scouring connection is ½" OD tubing
- 8" seals (item 2) and O-rings (item 6) are included with the cartridge

PURON® MP  
PROCESS PASS KIT  
1021034



*The information contained in this publication is believed to be accurate and reliable, but is not to be construed as implying any warranty or guarantee of performance. We assume no responsibility, obligation or liability for results obtained or damages incurred through the application of the information contained herein. Refer to Standard Terms and Conditions of Sale and Performance Warranty documentation for additional information*

**Koch Separation Solutions, Inc.** 850 Main Street, Wilmington, MA 01887-3388  
Main: +1-978-694-7000 • Fax: +1-978-657-5208 • Toll Free: +1-888-677-5624

For complete contact information and listing of our global locations, visit [www.kochseparation.com](http://www.kochseparation.com)

©2020 Koch Separation Solutions, Inc. All rights reserved worldwide. For related trademark information, visit [www.kochseparation.com/legal](http://www.kochseparation.com/legal).